

CLC PAPER DECK-E1

PARTS CATALOG

REVISION 0

A/B SIZE	F24-6307	ZRS00001-
INCH SIZE	F24-6317	ZRT00001-
A/B SIZE JPN	F24-6327	ZRU00001-

Canon

FEB. 1999

FY8-31DZ-000

PREFACE

This Parts Catalog contains listings of parts used in the Canon COLOR LAZER COPIER PAPER DECK-E1. Diagrams are provided with the listings to aid the service technician in identifying clearly, the item to be ordered.

Whenever ordering parts, consult this Parts Catalog for all of the information pertaining to each item. Be sure to include, in the Parts Request, the full item description, the item part number, and the quantity.

Canon Inc.

Office Imaging Products Technical Support Dept.3
Office Imaging Products Technical Support Div.
5-1, Hakusan 7-chome,
Toride-shi, Ibaraki 302-8501, Japan

COPYRIGHT © 1999 CANON INC.

Printed in Japan

Imprimé au Japon

Use of this manual should be strictly supervised to avoid disclosure of confidential information.

CONTENTS

- RA. ASSEMBLY LOCATION DIAGRAM**

- R01. MOUNTING HARDWARE**

- R10. EXTERNAL COVERS, PANELS, ETC.**
- R11. INTERNAL COMPONENTS**

- R30. PAPER STOCK ASSEMBLY**
- R35. PAPER DECK HEATER ASSEMBLY (ACCESSORY)**

- R40. PAPER PICK-UP ASSEMBLY**

- RB. LIST OF CONNECTORS**

- C. LIST OF STANDARD FASTENERS**

- RD. NUMERICAL INDEX**

FIGURE RA ASSEMBLY LOCATION DIAGRAM

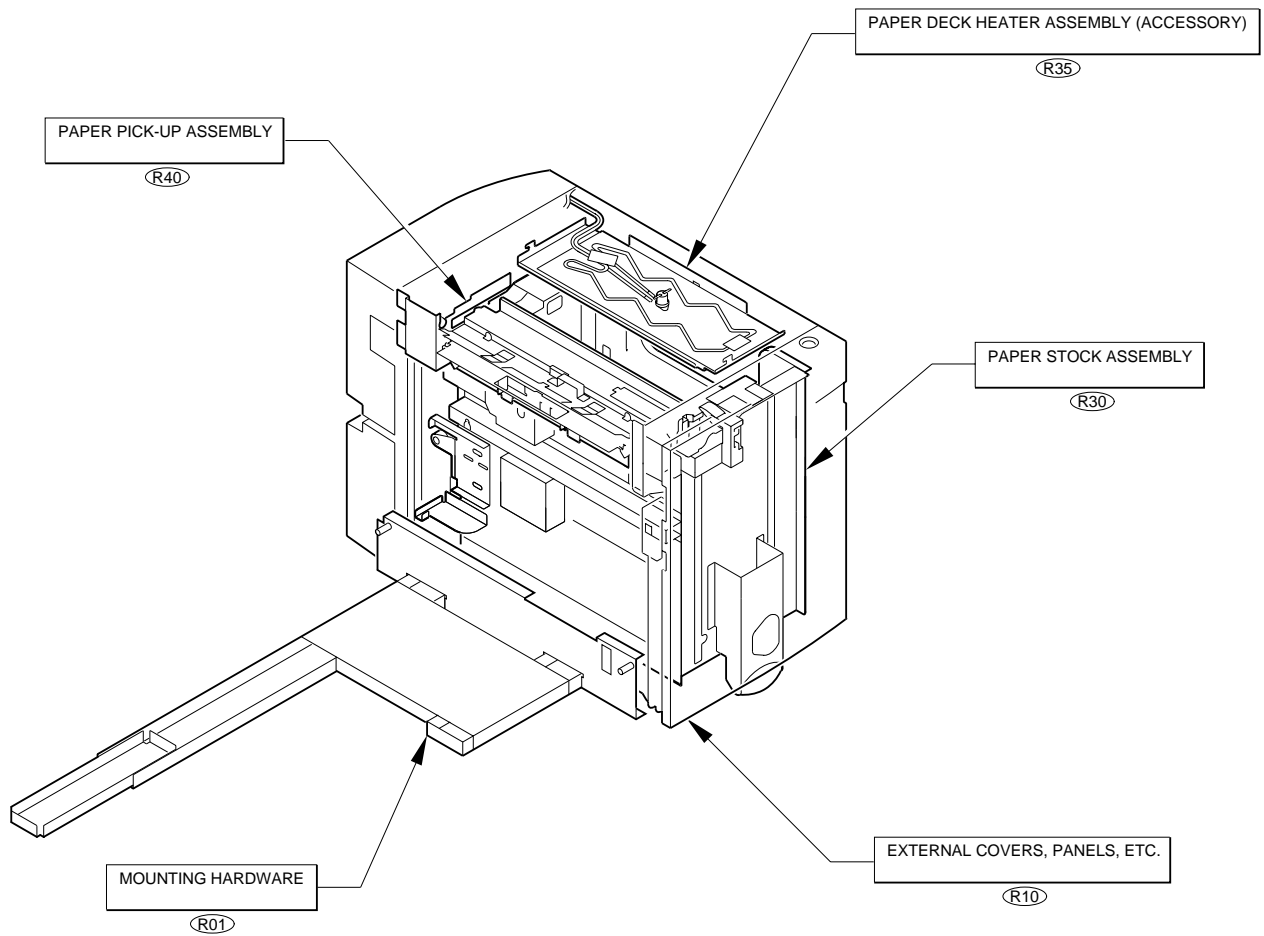


FIGURE R01 MOUNTING HARDWARE

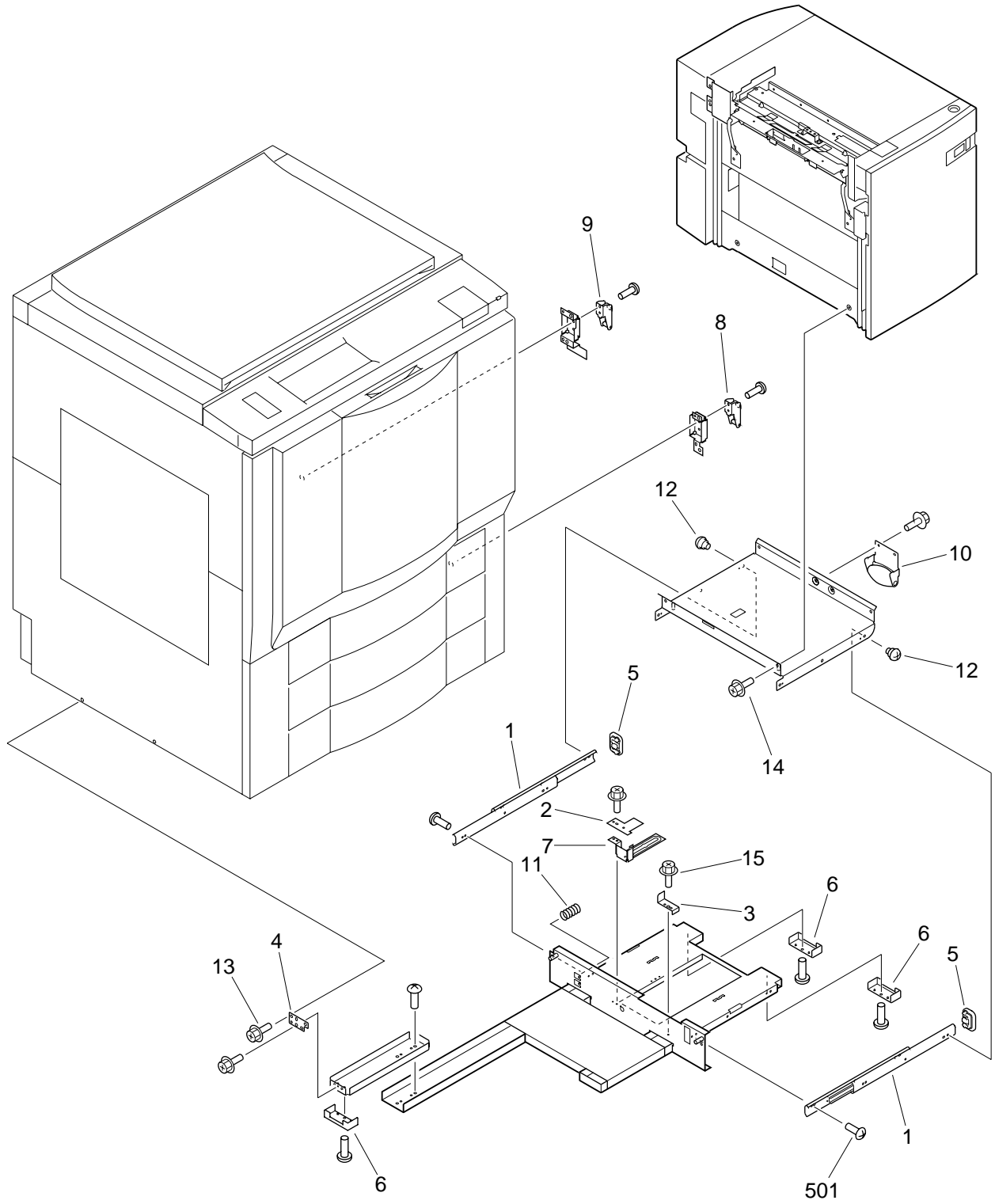


FIGURE & KEY NO.	PART NUMBER	R A N K	Q T Y	DESCRIPTION	SERIAL NUMBER / REMARKS
R01 -	NPN		RF	MOUNTING HARDWARE	
1	FB3-9268-000		2	RAIL, FRAME SLIDE	
2	FB4-4937-000		1	FLAG, SLIDE, UPPER	
3	FB4-4919-000		1	PLATE, DECK STOPPER	
4	FB4-9716-000		1	PLATE, CROSSMEMBER SUPPORT	
5	FB4-4932-000		2	CAP, RAIL	
6	FB4-4933-000		3	COVER, BOTTOM CROSSMEMBER	
7	FB4-4938-000		1	FLAG, SLIDE, LOWER	
8	FF5-7537-000		1	PLATE, LATCH, FRONT	
9	FF5-7538-000		1	PLATE, LATCH, REAR	
10	FF5-8923-000		1	SUPPORT, ROLLER	
11	FS6-2897-000		1	SPRING, COMPRESSION	
12	FS2-9343-000		3	SCREW, STEPPED, M4	
13	XA9-0732-000		2	SCREW, RS, M4X8	
14	XA9-0732-000		4	SCREW, RS, M4X8	
15	XA9-0732-000		2	SCREW, RS, M4X8	
501	XB1-2400-609		12	SCREW, MACH., TRUSS HEAD, M4X6	

FIGURE R10 EXTERNAL COVER, PANALS, ETC.

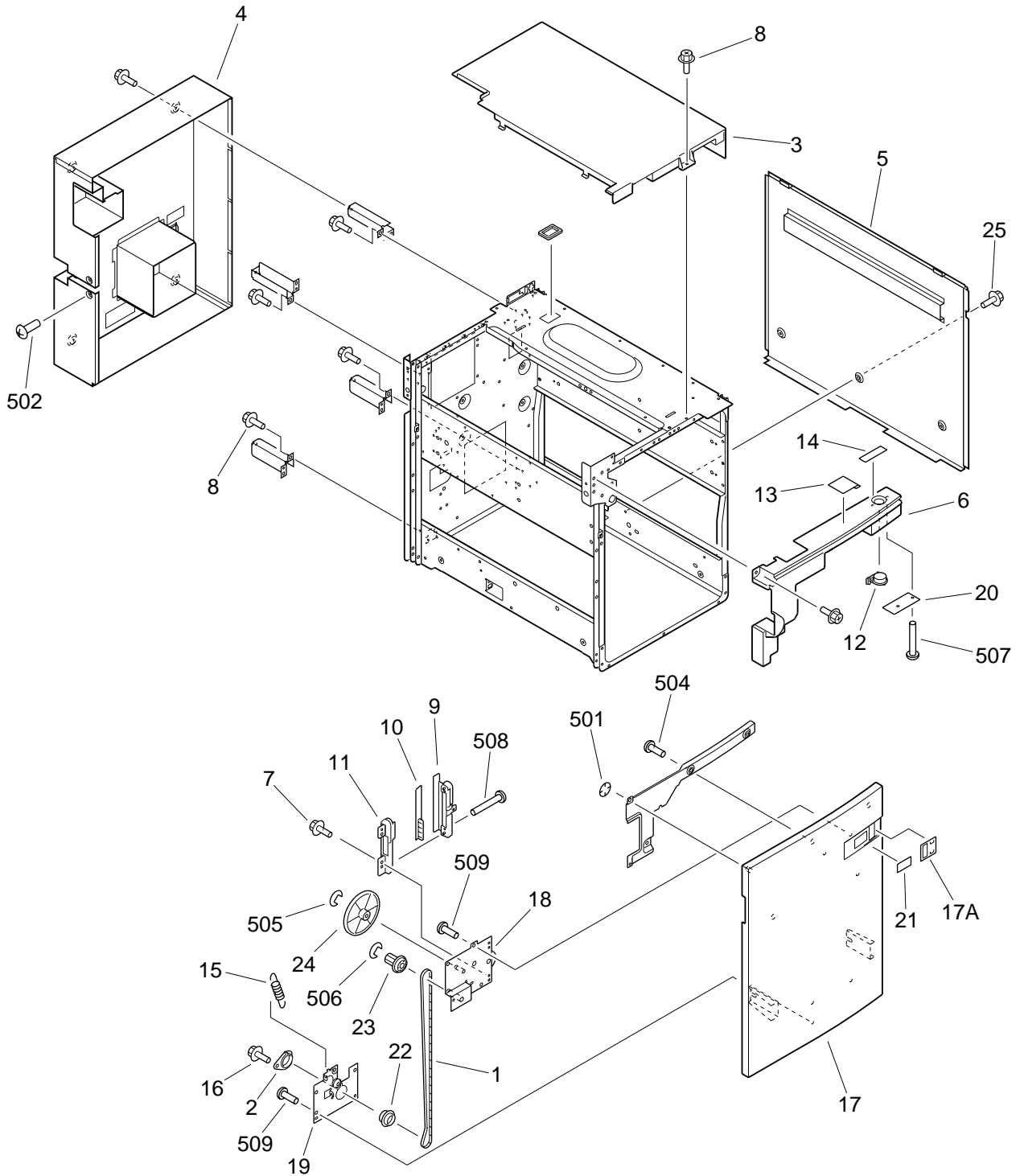


FIGURE & KEY NO.	PART NUMBER	RANK	QTY	DESCRIPTION	SERIAL NUMBER / REMARKS
R10 -	NPN		RF	EXTERNAL COVERS, PANELS, ETC	
1	XF2-2728-032		1	BELT, DRIVE	
2	FB3-9270-000		1	BUSHING	
3	FB4-4926-000		1	COVER, UPPER	
4	FB4-9697-000		1	COVER, REAR	
5	FB4-9696-000		1	COVER, RIGHT	
6	FB4-4925-000		1	COVER, SWITCH	
7	XA9-0732-000		2	SCREW,RS,M4X8	
8	XA9-0732-000		AR	SCREW,RS,M4X8	
9	FB3-9291-000		1	MOUNT, PAPER INDEX, RIGHT	
10	FB3-9292-000		1	TAPE, PAPER INDEX	
11	FB3-9293-000		1	MOUNT, PAPER INDEX, LEFT	
12	FB3-9711-000		1	BUTTON, RELEASE	
13	FB3-9749-000		1	LABEL, "HANDLE"	
14	FB3-9751-000		1	LABEL, "DECK OPEN"	
15	FS6-2677-000		1	SPRING, TENSION	
16	XA9-0732-000		1	SCREW,RS,M4X8	
17	FF5-8912-000		1	COVER, FRONT	
17A	FB3-9732-000		1	PANEL, PAPER INDEX	
18	FF5-6163-000		1	PAPER QUANTITY INDICATOR UNIT	
19	FF5-6164-000		1	PLATE, TENSIONER	
20	FG5-9288-000		1	SWITCH PCB ASSEMBLY	
21	FS6-8412-000		1	SHEET, PAPER SIZE	
22	FS6-0911-000		1	PULLEY, 32T	
23	FS6-0912-000		1	PULLEY, 32T/GEAR, 15T	
24	FS6-0913-000		1	GEAR, 18T/96T	
25	XA9-0266-000		1	SCREW,W/WASHER,M4X8	
501	XD2-2300-402		1	RING,TOOTHED LOCK	
502	XB1-2300-806		2	SCREW,MACH.,TRUSS HEAD,M3X8	
503	XB1-2400-609		6	SCREW,MACH.,TRUSS HEAD,M4X6	

FIGURE R11

INTERNAL COMPONENTS

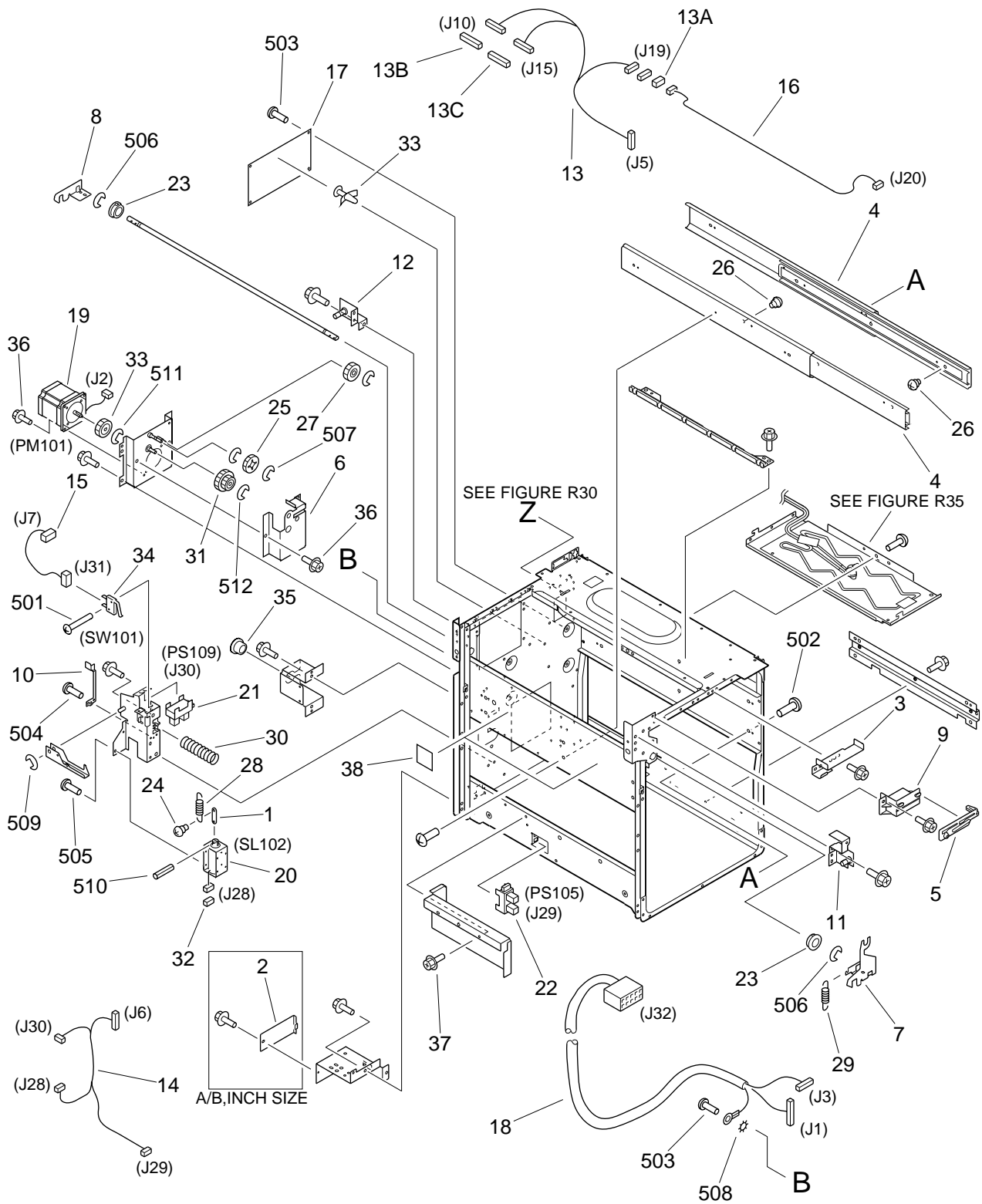
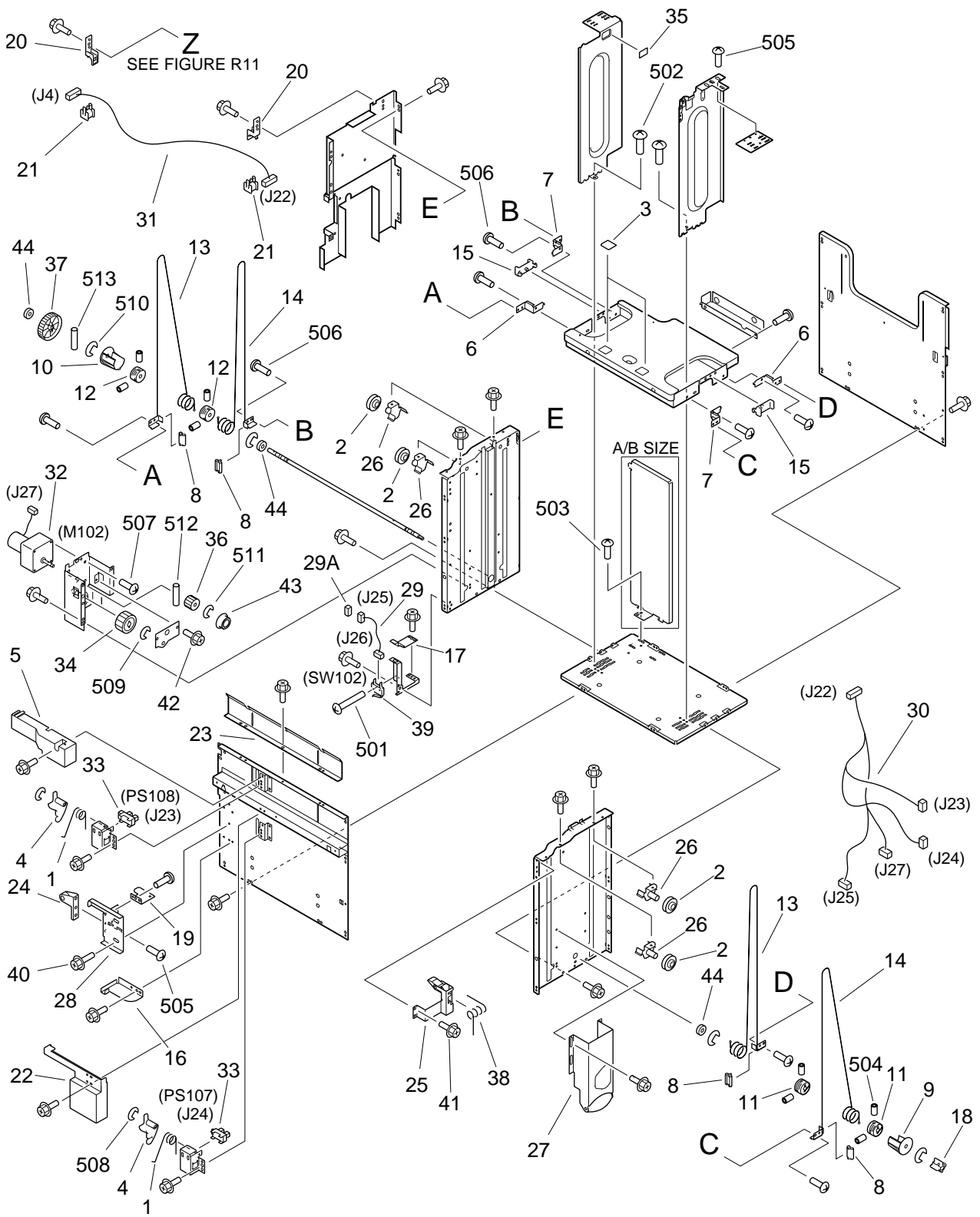


FIGURE & KEY NO.	PART NUMBER	R A N K	Q T Y	DESCRIPTION	SERIAL NUMBER / REMARKS
R11 -	NPN		RF	INTERNAL COMPONENTS	
1	FA6-7751-000		1	ARM, LOCK	
2	FB2-8293-000		1	COVER, CONNECTOR	A/B, INCH SIZE
3	FB3-9260-000		1	PLATE, CAM RELEASE	
4	FB3-9261-000		2	RAIL, SLIDE	
5	FB3-9290-000		1	LINK, RELEASE LEVER	
6	FB4-9710-000		1	COVER, GEAR	
7	FB4-4877-000		1	HOOK, FRONT	
8	FB4-4878-000		1	HOOK, REAR	
9	FB4-4922-000		1	COVER, RELEASE LEVER	
10	FB4-4929-000		1	SPRING, LEAF	
11	FF5-7535-000		1	PIN, DECK, FRONT	
12	FF5-7536-000		1	PIN, DECK, REAR	
13	FG6-2527-000		1	CABLE, FRAME, 1	J5,10,15,19
13A	VS1-5057-004		1	CONNECTOR, SNAP TIGHT	J19
13B	VS1-5057-010		1	CONNECTOR, SNAP TIGHT	J10
13C	VS1-5057-014		1	CONNECTOR, SNAP TIGHT	J15
14	FG6-2528-000		1	CABLE, FRAME, 2	J6,28-30
15	FG6-2529-000		1	CABLE, PAPER STOCK SWITCH	J7,31
16	FG6-1646-000		1	CABLE, LED SWITCH	J19,20
17	FG6-2524-000		1	DECK DRIVER PCB ASSEMBLY	
18	FG6-2533-000		1	CABLE, INTERFACE	J1,3,32
19	FH6-1571-000		1	MOTOR, STEPPING, DC24V	PM101 J2
20	FH7-5828-000		1	SOLENOID, DC24V	SL102 J28
21	FH7-7462-000		1	PHOTO-INTERRUPTER	PS109 J30
22	FH7-7462-000		1	PHOTO-INTERRUPTER	PS105 J29
23	FS1-1189-000		2	BUSHING	
24	FS1-9009-000		1	SCREW, STEPPED, M3	
25	FS2-0544-000		1	GEAR, 24T	
26	FS2-9343-000		4	SCREW, STEPPED, M4	

FIGURE & KEY NO.	PART NUMBER	R A N K	Q T Y	DESCRIPTION	SERIAL NUMBER / REMARKS
R11 - 27	FS2-0545-000		1	GEAR, 28T	
28	FS6-2593-000		1	SPRING, TENSION	
29	FS6-2674-000		1	SPRING, TENSION	
30	FS6-2676-000		1	SPRING, COMPRESSION	
31	FS7-0422-000		1	GEAR, 20T/32T	
32	VS1-5057-002		1	CONNECTOR, SNAP TIGHT	J28
33	FS7-0289-000		1	GEAR, 27T	
34	WC4-5153-000		1	MICRO SWITCH	SW101 J31
35	X62-6825-000		1	BUSHING	
36	XA9-0732-000		16	SCREW,RS,M4X8	
37	XA9-0732-000		2	SCREW,RS,M4X8	
38	FB3-9749-000		2	LABEL, "HANDLE"	
501	XB1-2231-009		1	SCREW,MACH.,TRUSS HEAD,M2.3X10	
502	XB1-2400-609		6	SCREW,MACH.,TRUSS HEAD,M4X6	
503	XB1-2400-806		8	SCREW,MACH.,TRUSS HEAD,M4X8	
504	XB1-2400-809		4	SCREW,MACH.,TRUSS HEAD,M4X8	
505	XB6-7300-409		3	SCREW,TP,M3X4	
506	XD1-1100-642		2	SHIM	
507	XD1-1100-642		3	SHIM	
508	XD1-4200-402		1	WASHER,TOOTHED LOCK	
509	XD2-1100-502		1	RING,E	
510	XD3-1300-102		1	PIN,SPRING	
511	XD2-1100-402		1	RING,E	
512	XD2-1100-502		1	RING,E	

FIGURE R30

PAPER STOCK ASSEMBLY



NOTE: This assembly does not include the parts shown with key No. 16, 18 and 27.

FIGURE & KEY NO.	PART NUMBER	RANK	QTY	DESCRIPTION	SERIAL NUMBER / REMARKS
R30 -	FG6-3577-000		1	PAPER STOCK ASSEMBLY	
1	FB5-0553-000		2	SPRING, TORSION	
2	FA6-8257-000		4	PULLEY	
3	FB2-7740-020		2	SHEET, SEPARATION	
4	FB2-9248-000		2	ARM, PAPER SENSOR	
5	FB3-9235-000		1	COVER, SENSOR	
6	FB3-9237-000		2	PLATE, WIRE STOP, RIGHT	
7	FB3-9238-000		2	PLATE, WIRE STOP, LEFT	
8	FB3-9240-000		4	BLOCK, WIRE GUIDE	
9	FB3-9241-000		1	GUIDE, PULLEY, FRONT	
10	FB3-9242-000		1	GUIDE, PULLEY, REAR	
11	FB3-9243-000		2	PULLEY, DRIVE, FRONT	
12	FB3-9244-000		2	PULLEY, DRIVE, REAR	
13	FB4-9706-000		2	WIRE, DRIVE, RIGHT	
14	FB4-9705-000		2	WIRE, DRIVE, LEFT	
15	FB3-9714-000		2	BLOCK, LIFTER PLATE SLIDE	
16	FB3-9720-000		1	PLATE, PAPER STOCK STOP	SEE NOTE
17	FB3-9723-000		1	SPRING, LEAF	
18	FB3-9735-000		1	COUPLING	SEE NOTE
19	FB3-9742-000		1	FLAG, PAPER STOCK SENSOR	
20	FB4-4873-000		2	CLAMP, CORD, UPPER	
21	FB4-4874-000		2	CLAMP, CORD, LOWER	
22	FB4-4882-000		1	COVER, SENSOR, LOWER	
23	FB4-4928-000		1	PLATE, SEPARATION	
24	FF5-5282-030		1	HOLDER, LATCH	
25	FF5-6148-000		1	LEVER, RELEASE	
26	FF5-6160-000		4	MOUNT, PULLEY	
27	FF5-6161-000		1	MOUNT, ROLLER	SEE NOTE
28	FF5-6171-000		1	PLATE, LOCK	
29	FG6-1642-000		1	CABLE, SWITCH	J25,26

FIGURE & KEY NO.	PART NUMBER	R A N K	Q T Y	DESCRIPTION	SERIAL NUMBER / REMARKS
R30 - 29A	VS1-5057-003		1	CONNECTOR, SNAP TIGHT	J25
30	FG6-2534-000		1	CABLE, PAPER STOCK	J22-25,27
31	FG6-2531-000		1	CABLE, PAPER STOCK CONNECTING	J4,22
32	FH7-1791-020		1	MOTOR, DC24V	M102 J27
33	FH7-7312-000		2	PHOTO-INTERRUPTER	PS107,108 J24,23
34	FS2-0450-000		1	GEAR, 32T	
35	FS5-8618-000		1	LABEL, "MAXIMUM LOAD"	
36	FS6-0722-000		1	GEAR, 19T	
37	FS6-0909-000		1	GEAR, 58T	
38	FS6-2673-000		1	SPRING, TORSION	
39	WC4-0153-000		1	MICROSWITCH	SW102 J26
40	XA9-0721-000		2	SCREW,RS,M4X10	
41	XA9-0732-000		47	SCREW,RS,M4X8	
42	XA9-0732-000		2	SCREW,RS,M4X8	
43	XG3-6012-405		1	BALL BEARING, NSK MF126ZZ	
44	XG9-0250-000		3	BEARING, BALL	
501	XB1-2231-009		1	SCREW,MACH.,TRUSS HEAD,M2.3X10	
502	XB1-2400-609		2	SCREW,MACH.,TRUSS HEAD,M4X6	
503	XB1-2400-609		1	SCREW,MACH.,TRUSS HEAD,M4X6	A/B SIZE
504	XB6-2400-808		8	SETSCREW,M4X8	
505	XB6-7400-609		5	SCREW,TP,M4X6	
506	XB6-7400-809		14	SCREW,TP,M4X8	
507	XB6-7400-809		4	SCREW,TP,M4X8	
508	XD2-1100-242		2	RING,E	
509	XD2-1100-502		1	RING,E	
510	XD2-1100-642		4	RING,E	
511	XD2-1100-642		1	RING,E	
512	XD3-2200-122		1	PIN,DOWEL	
513	XD3-2200-182		1	PIN,DOWEL	

FIGURE R35

PAPER DECK HEATER ASSEMBLY (ACCESSORY)

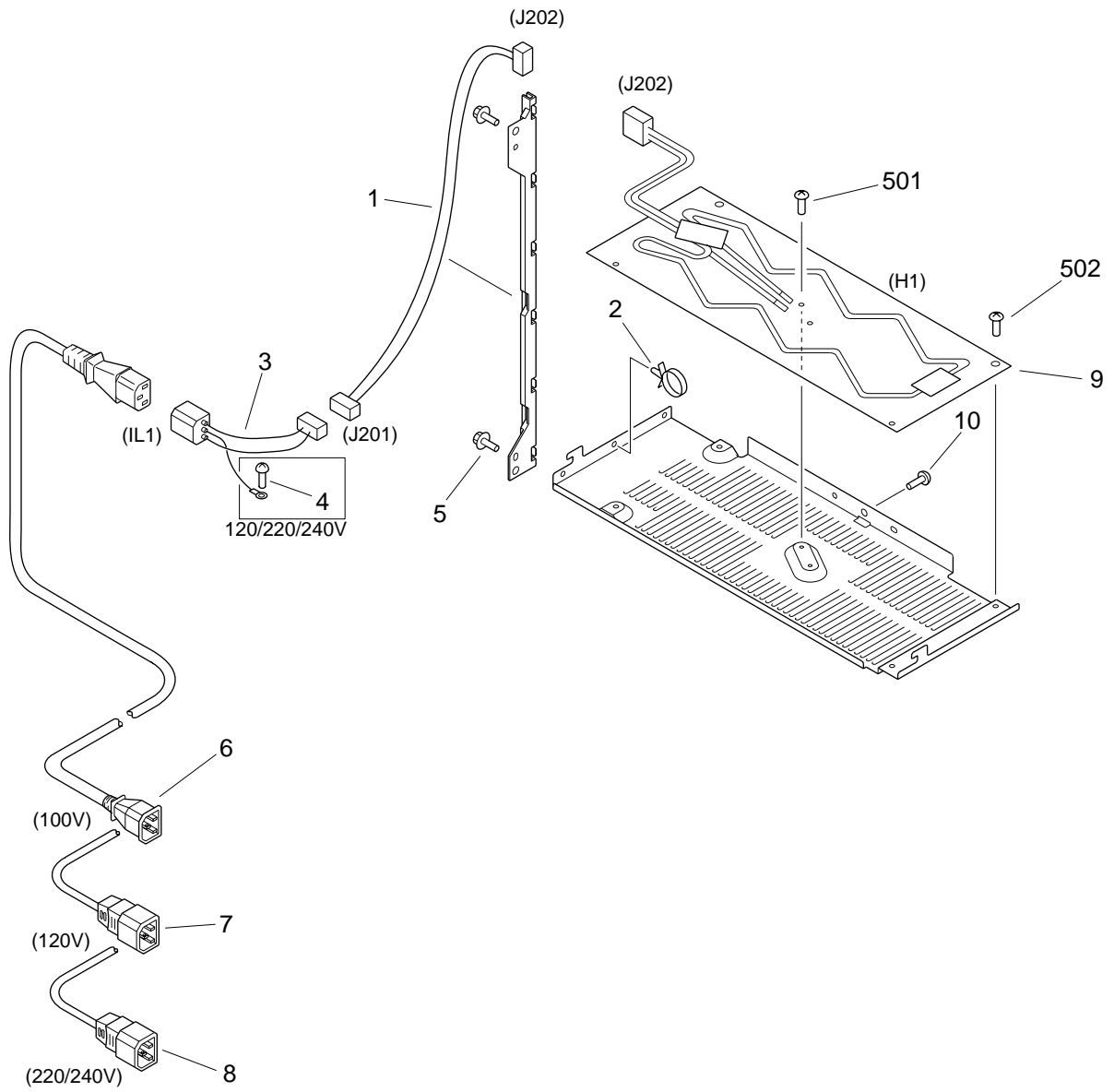
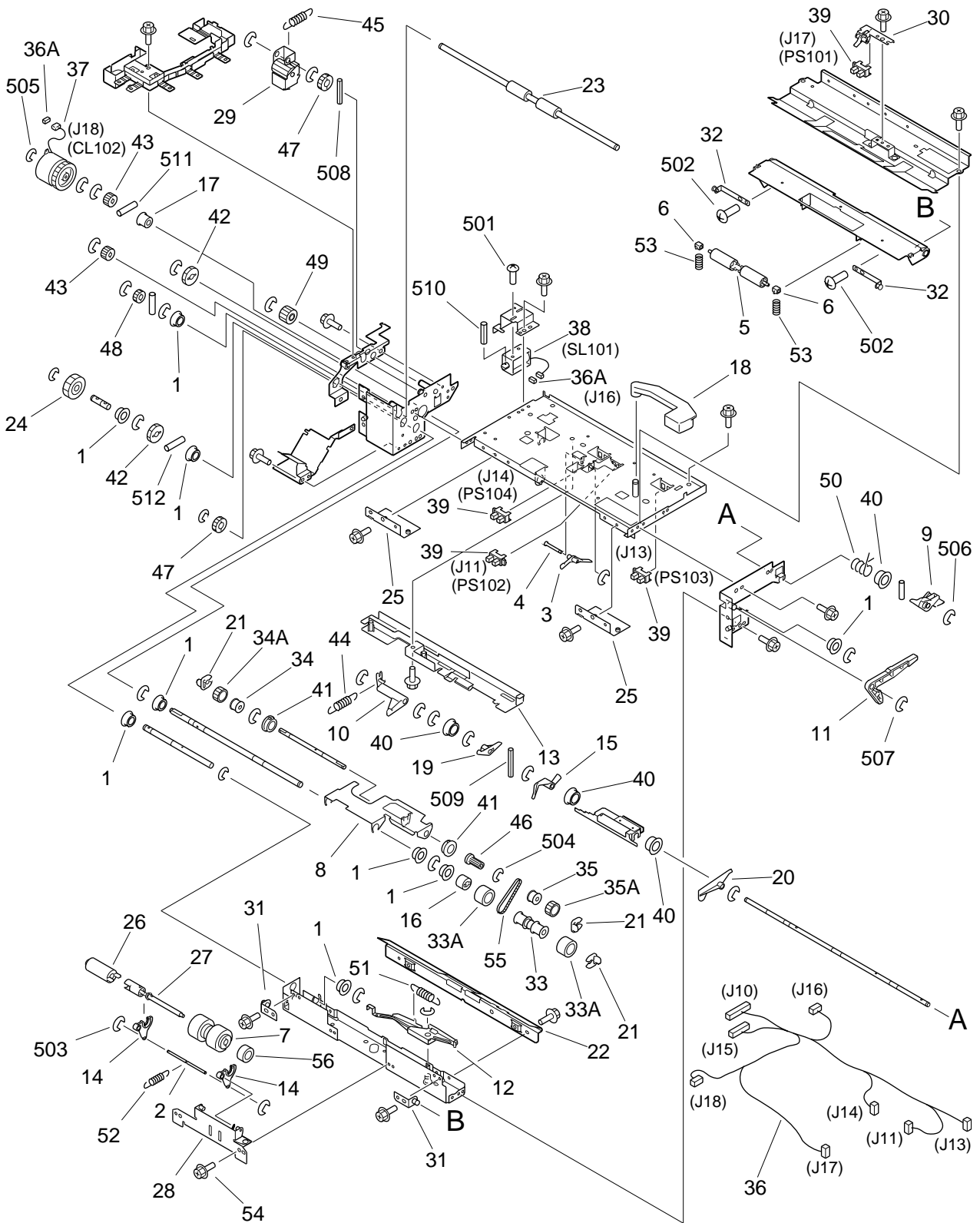


FIGURE & KEY NO.	PART NUMBER	R A N K	Q T Y	DESCRIPTION	SERIAL NUMBER / REMARKS
R35 -	NPN		RF	PAPER DECK HEATER ASSEMBLY	ACCESSORY
1	FG6-2956-000		1	CABLE, CASSETTE HEATER	J201,202
2	WT2-5041-000		1	TIE, CABLE	
3	FG6-1116-000		1	CABLE, SOCKET	100V J201,IL1
	FG6-1117-000		1	CABLE, SOCKET	120/220/240V J201,IL1
4	XA9-0266-000		1	SCREW,W/WASHER,M4X8	120/220/240V
5	XA9-0628-000		2	SCREW,RS,M4X8	
6	FH2-6584-000		1	CORD, POWER SUPPLY	100V IL1
7	FH2-6585-000		1	CORD, POWER SUPPLY	120V IL1
8	FH2-6586-000		1	CABLE, POWER CORD	220/240V IL1
9	FH7-4584-000		1	HEATER, CASSETTE	100V J202 H1
	FH7-4610-000		1	HEATER, CASSETTE	120V J202 H1
	FH7-4585-000		1	HEATER, CASSETTE	220/240V J202 H1
10	XA9-0266-000		1	SCREW,W/WASHER,M4X8	
501	XB6-7300-409		1	SCREW,TP,M3X4	
502	XB1-2400-409		4	SCREW,MACH.,TRUSS HEAD,M4X4	

FIGURE R40

PAPER PICK-UP ASSEMBLY



NOTE: This assembly does not include the part shown with key No. 18.

FIGURE & KEY NO.	PART NUMBER	R A N K	Q T Y	DESCRIPTION	SERIAL NUMBER / REMARKS
R40 -	FG6-3576-000		1	PAPER PICK-UP ASSEMBLY	
1	FA9-2112-000		9	BUSHING	
2	FB4-6227-000		1	SHAFT, COUNTER	
3	FB2-7720-000		1	LEVER, PAPER	
4	FB2-7721-000		1	SHAFT, LEVER	
5	FB2-7754-000		1	ROLLER	
6	FB2-7755-000		2	BUSHING	
7	FB2-7777-020		1	ROLLER, SEPARATION	
8	FB3-9188-020		1	PLATE, PAPER PICK-UP	
9	FB3-9192-020		1	CAM, FRONT	
10	FB3-9193-020		1	ARM, SOLENOID	
11	FB3-9195-020		1	ARM, SEPARATION RELEASE	
12	FB3-9196-020		1	LEVER, SEPARATION RELEASE	
13	FB3-9206-000		1	COVER, SENSOR	
14	FB3-9207-030		2	ARM, SEPARATION ROLLER	
15	FB3-9214-000		1	FLAG, PAPER SENSOR	
16	FB3-9216-000		1	CLUTCH, ONE-WAY, 1	
17	FB3-9217-000		1	CLUTCH, ONE-WAY, 2	
18	FB3-9289-000		1	LEVER, RELEASE	SEE NOTE
19	FB3-9713-000		1	LEVER, PAPER PICK-UP	
20	FB3-9752-000		1	LEVER, LIMITER	
21	FB4-2007-000		3	RING, RETAINING	
22	FB4-2013-000		1	GUIDE, PICK-UP INLET	
23	FB4-4868-000		1	ROLLER, PAPER FEED	
24	FS6-0056-000		1	GEAR, 32T	
25	FB4-4899-000		2	PLATE, PAPER FEED GUIDE, REAR	
26	FB2-8422-000		1	TORQUE LIMITER	
27	FF5-6338-000		1	SHAFT, SEPARATION	
28	FF5-6157-020		1	MOUNT, SEPARATION ROLLER	
29	FF5-7529-000		1	SWING GEAR, 20T	

FIGURE & KEY NO.	PART NUMBER	R A N K	Q T Y	DESCRIPTION	SERIAL NUMBER / REMARKS
R40 - 30	FF5-7530-000		1	MOUNT, VERT. PATH SENSOR FLAG	
31	FF5-7532-000		2	SUPPORT, GUIDE, LOWER	
32	FF5-7539-000		2	SUPPORT, ROLLER	
33	FF5-7541-000		1	ROLLER, PAPER FEED	
33A	FB4-2034-000		2	ROLLER, FEED	
34	FF5-7829-000		1	ROLLER, PAPER PICK-UP, 1	
34A	FB4-2033-000		1	ROLLER, PICK-UP	
35	FF5-7830-000		1	ROLLER, PAPER PICK-UP, 2	
35A	FB4-2033-000		1	ROLLER, PICK-UP	
36	FG6-2525-000		1	CABLE, PAPER PICK-UP	J10,11,13-18
36A	VS1-5057-002		2	CONNECTOR, SNAP TIGHT	J16,18
37	FH7-5826-000		1	CLUTCH, ELECTROMAGNETIC	CL102 J18
38	FH7-5827-000		1	SOLENOID	SL101 J16
39	FH7-7462-000		4	PHOTO-INTERRUPTER	PS101-104 J17,11,13,14
40	FS1-1512-000		4	BUSHING	
41	FS1-1569-000		2	BUSHING	
42	FS2-0484-000		2	GEAR, 25T	
43	FS5-0338-000		2	GEAR, 16T	
44	FS5-2291-000		1	SPRING, TENSION	
45	FS5-2885-000		1	SPRING, TENSION	
46	FS5-3333-000		1	PULLEY, 16T	
47	FS6-0053-000		2	GEAR, 20T	
48	FS6-0091-000		1	GEAR, 16T	
49	FS6-0907-000		1	GEAR, 20T	
50	FS6-2672-000		1	SPRING, TORSION	
51	FS6-2675-000		1	SPRING, TENSION	
52	FS6-2678-000		1	SPRING, TENSION	
53	FS6-2895-000		2	SPRING, COMPRESSION	
54	XA9-0732-000		27	SCREW,RS,M4X8	
55	XF9-0525-000		1	BELT, TIMING, 59T	

FIGURE & KEY NO.	PART NUMBER	RANK	QTY	DESCRIPTION	SERIAL NUMBER / REMARKS
R40 - 56	XG9-0242-000		1	BEARING, BALL	
501	XB1-2300-409		2	SCREW,MACH.,TRUSS HEAD,M3X4	
502	XB1-2400-609		2	SCREW,MACH.,TRUSS HEAD,M4X6	
503	XD2-1100-242		1	RING,E	
504	XD2-1100-372		1	RING,E	
505	XD2-1100-402		1	RING,E	
506	XD2-1100-502		10	RING,E	
507	XD2-1100-642		18	RING,E	
508	XD3-1200-122		1	PIN,SPRING	
509	XD3-1200-142		1	PIN,SPRING	
510	XD3-1300-082		1	PIN,SPRING	
511	XD3-2200-102		6	PIN,DOWEL	
512	XD3-2200-142		2	PIN,DOWEL	

FIGURE RB LIST OF CONNECTORS

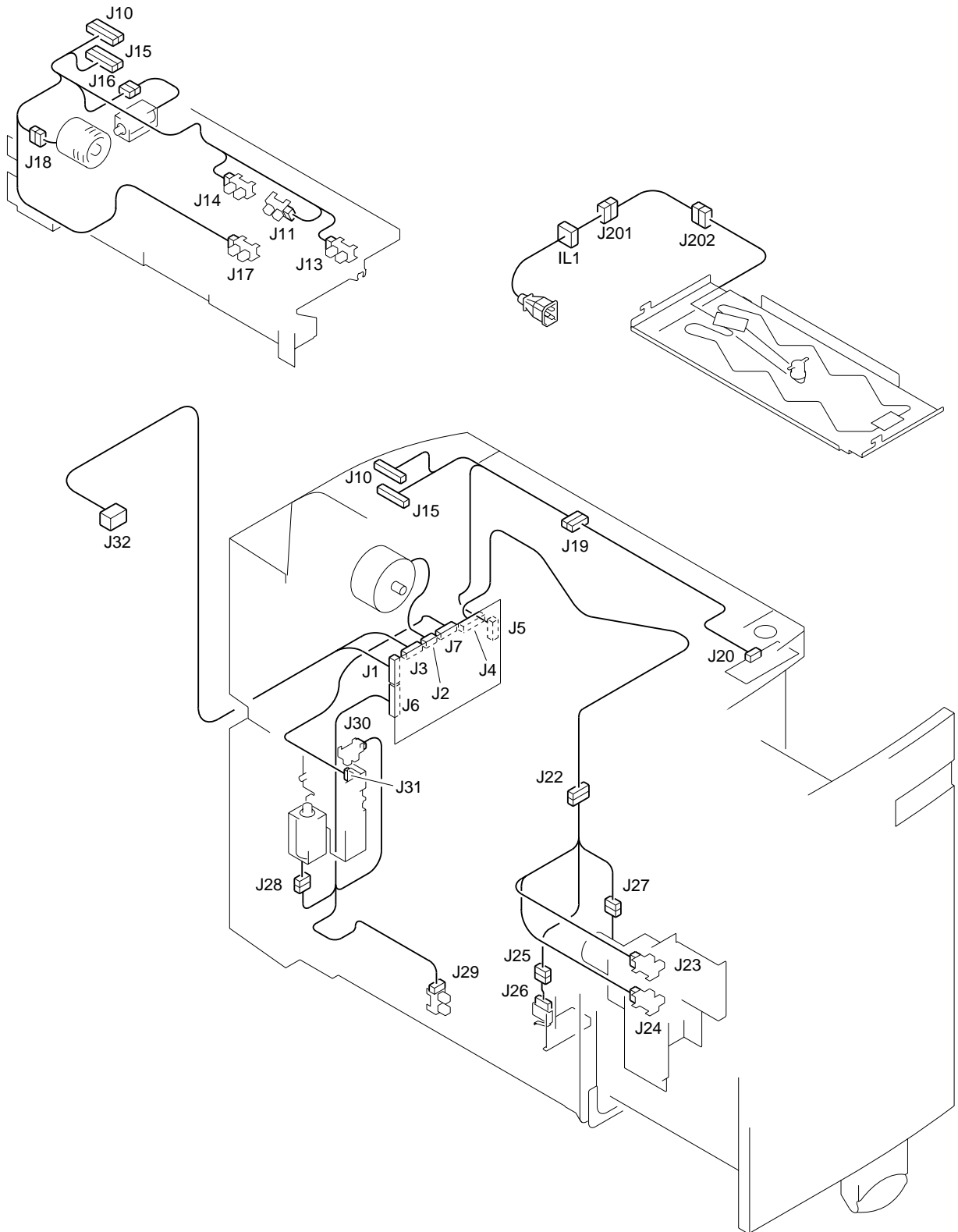


FIGURE & KEY NO.	PART NUMBER	R A N K	Q T Y	DESCRIPTION	SERIAL NUMBER / REMARKS
R B -	NPN		RF	LIST OF CONNECTORS	
IL 1	NPN			POWER CORD SUPPLY	ACCESSORY
	WS5-5025-000		1	SOCKET, AC	ACCESSORY
J 1	PCB			SIDE DECK DRIVER	
	VS1-6320-012		1	CONNECTOR, 12P, MALE	
	VS1-6321-012		1	CONNECTOR, 12P, MALE	
	VT2-5161-024		1	CONNECTOR, 24P, FEMALE	
J 2	PCB			SIDE DECK DRIVER	
	NPN			DECK MAIN MOTOR	PM101
J 3	PCB			SIDE DECK DRIVER	
	VS3-5083-004		1	CONNECTOR, 4P, FEMALE	
	WS3-5160-000		4	SOCKET CONTACT, 18-24AWG	
J 4	PCB			SIDE DECK DRIVER	
	VS1-6302-010		1	CONNECTOR, 10P, FEMALE	
	WS3-5569-000		10	PIN, CONTACT	
J 5	PCB			SIDE DECK DRIVER	
	VS1-6313-011		1	CONNECTOR, 11P, FEMALE	
	VS1-6314-011		1	CONNECTOR, 11P, FEMALE	
	VT2-5161-022		1	HOLDER, CONNECTOR, 22P	
J 6	PCB			SIDE DECK DRIVER	
	VS1-6314-008		1	CONNECTOR, 8P, FEMALE	
J 7	PCB			SIDE DECK DRIVER	
	VS1-6302-003		1	CONNECTOR, 3P, FEMALE	
	WS3-5569-000		2	PIN, CONTACT	
J 10	VS1-6321-010		2	CONNECTOR, 10P, FEMALE	
J 11	VS1-5057-010		1	CONNECTOR, SNAP TIGHT	
	NPN			DECK PAPER NOTHING SENSOR	PS102
	VS1-6321-003		1	CONNECTOR, 3P, FEMALE	
J 13	NPN			DECK LIFTER UPPER LIMIT SENSOR	PS103
	VS1-6321-003		1	CONNECTOR, 3P, FEMALE	

FIGURE & KEY NO.	PART NUMBER	R A N K	Q T Y	DESCRIPTION	SERIAL NUMBER / REMARKS
R B - J 14	NPN			DECK LIFTER UPPER LIMIT SENSOR	PS104
	VS1-6321-003		1	CONNECTOR, 3P, FEMALE	
J 15	VS1-5057-014		1	CONNECTOR, SNAP TIGHT	
	VS1-6321-014		2	CONNECTOR, 14P, FEMALE	
J 16	NPN			DECK ROLLER RELEASE SOLENOID	SL101
	VS1-5057-002		1	CONNECTOR, SNAP TIGHT	
	VS1-6321-002		1	CONNECTOR, 2P, FEMALE	
J 17	NPN			DECK PICK-UP SENSOR	PS101
	VS1-6321-003		1	CONNECTOR, 3P, FEMALE	
J 18	NPN			DECK FEED CLUTCH	CL102
	VS1-5057-002		1	CONNECTOR, SNAP TIGHT	
	VS1-6321-002		2	CONNECTOR, 2P, FEMALE	
J 19	VS1-6321-004		2	CONNECTOR, 4P, FEMALE	
	VS1-5057-004		1	CONNECTOR, SNAP TIGHT	
J 20	PCB			OPEN SWITCH	
	VS1-6321-004		1	CONNECTOR, 4P, FEMALE	
J 22	VS1-6372-010		1	CONNECTOR, 10P, FEMALE	
	VS1-6373-010		1	CONNECTOR, 10P, FEMALE	
	WS3-5569-000		10	PIN, CONTACT	
	WS3-5598-000		10	PIN CONTACT	
J 23	NPN			DECK PAPER POSITION SENSOR	PS108
	VS1-6321-003		1	CONNECTOR, 3P, FEMALE	
J 24	NPN			DECK PAPER SENSOR	PS107
	VS1-6321-003		1	CONNECTOR, 3P, FEMALE	
J 25	VS1-5057-003		1	CONNECTOR, SNAP TIGHT	
	VS1-6321-003		2	CONNECTOR, 3P, FEMALE	
J 26	NPN			PAPER STOCK LOWER LIMIT SWITCH	SW102
	RH2-5283-000		1	CONNECTOR, 2P, FEMALE	
	WS3-5419-000		2	SOCKET CONTACT, 22-26AWG	
J 27	NPN			DECK LIFTER MOTOR	M102

FIGURE & KEY NO.	PART NUMBER	RANK	QTY	DESCRIPTION	SERIAL NUMBER / REMARKS
R B - J 27	VS1-0279-002		1	CONNECTOR, 2P, FEMALE	SL102
	WS3-0437-000		2	SOCKET CONTACT, 20-30AWG	
	NPN			DECK OPEN SOLENOID	
	VS1-5057-002		1	CONNECTOR, SNAP TIGHT	
	VS1-6321-002		1	CONNECTOR, 2P, FEMALE	
J 29	NPN			DECK SETTING SENSOR	PS105
	VS1-6321-003		1	CONNECTOR, 3P, FEMALE	
J 30	NPN			DECK OPEN SENSOR	PS109
	VS1-6321-003		1	CONNECTOR, 3P, FEMALE	
J 31	NPN			PAPER STOCK SWITCH	SW101
J 32	RH2-5283-000		1	CONNECTOR, 2P, FEMALE	
	WS3-5419-000		2	SOCKET CONTACT, 22-26AWG	
	-----			TO COPIER	
	FH2-5822-000		24	SOCKET CONTACT, 22-26AWG	
	FH2-5826-000		4	SOCKET CONTACT, 16-20AWG	
J201	FH2-5828-000		1	HOUSING, CONNECTOR	ACCESSORY
	VS4-0001-003		1	CONNECTOR, 3P, MALE	
	VS4-0002-003		1	CONNECTOR, 3P, FEMALE	
	WS4-0217-000		2	SOCKET CONTACT, 22-18AWG	
	WS4-0219-000		2	PIN CONTACT, 18-22AWG	
J202	NPN			DECK HEATER	ACCESSORY
	VS4-0001-003		1	CONNECTOR, 3P, MALE	ACCESSORY
	WS4-0219-000		2	PIN CONTACT, 18-22AWG	ACCESSORY

RD NUMERICAL INDEX

PART NUMBER	FIGURE & KEY NO.	PART NUMBER	FIGURE & KEY NO.	PART NUMBER	FIGURE & KEY NO.
FA6 - 7751 - 000	R11 - 1	FF5 - 6161 - 000	R30 - 27	FS6 - 2897 - 000	R01 - 11
FA6 - 8257 - 000	R30 - 2	FF5 - 6163 - 000	R10 - 18	FS6 - 8412 - 000	R10 - 21
FA9 - 2112 - 000	R40 - 1	FF5 - 6164 - 000	R10 - 19	FS7 - 0289 - 000	R11 - 33
FB2 - 7720 - 000	R40 - 3	FF5 - 6171 - 000	R30 - 28	FS7 - 0422 - 000	R11 - 31
FB2 - 7721 - 000	R40 - 4	FF5 - 6338 - 000	R40 - 27	PCB	R B - J 1
FB2 - 7740 - 020	R30 - 3	FF5 - 7529 - 000	R40 - 29		R B - J 2
FB2 - 7754 - 000	R40 - 5	FF5 - 7530 - 000	R40 - 30		R B - J 3
FB2 - 7755 - 000	R40 - 6	FF5 - 7532 - 000	R40 - 31		R B - J 4
FB2 - 7777 - 020	R40 - 7	FF5 - 7535 - 000	R11 - 11		R B - J 5
FB2 - 8293 - 000	R11 - 2	FF5 - 7536 - 000	R11 - 12		R B - J 6
FB2 - 8422 - 000	R40 - 26	FF5 - 7537 - 000	R01 - 8		R B - J 7
FB2 - 9248 - 000	R30 - 4	FF5 - 7538 - 000	R01 - 9		R B - J 20
FB3 - 9188 - 020	R40 - 8	FF5 - 7539 - 000	R40 - 32	RH2 - 5283 - 000	R B - J 26
FB3 - 9192 - 020	R40 - 9	FF5 - 7541 - 000	R40 - 33		R B - J 31
FB3 - 9193 - 020	R40 - 10	FF5 - 7829 - 000	R40 - 34	VS1 - 0279 - 002	R B - J 27
FB3 - 9195 - 020	R40 - 11	FF5 - 7830 - 000	R40 - 35	VS1 - 5057 - 002	R B - J 16
FB3 - 9196 - 020	R40 - 12	FF5 - 8912 - 000	R10 - 17		R B - J 18
FB3 - 9206 - 000	R40 - 13	FF5 - 8923 - 000	R01 - 10		R B - J 28
FB3 - 9207 - 030	R40 - 14	FG5 - 9288 - 000	R10 - 20		R11 - 32
FB3 - 9214 - 000	R40 - 15	FG6 - 1116 - 000	R35 - 3	VS1 - 5057 - 003	R40 - 36A
FB3 - 9216 - 000	R40 - 16	FG6 - 1117 - 000	R35 - 3		R B - J 25
FB3 - 9217 - 000	R40 - 17	FG6 - 1642 - 000	R30 - 29		R30 - 29A
FB3 - 9235 - 000	R30 - 5	FG6 - 1646 - 000	R11 - 16	VS1 - 5057 - 004	R B - J 19
FB3 - 9237 - 000	R30 - 6	FG6 - 2524 - 000	R11 - 17		R11 - 13A
FB3 - 9238 - 000	R30 - 7	FG6 - 2525 - 000	R40 - 36	VS1 - 5057 - 010	R B - J 10
FB3 - 9240 - 000	R30 - 8	FG6 - 2527 - 000	R11 - 13		R11 - 13B
FB3 - 9241 - 000	R30 - 9	FG6 - 2528 - 000	R11 - 14	VS1 - 5057 - 014	R B - J 15
FB3 - 9242 - 000	R30 - 10	FG6 - 2529 - 000	R11 - 15		R11 - 13C
FB3 - 9243 - 000	R30 - 11	FG6 - 2531 - 000	R30 - 31	VS1 - 6302 - 003	R B - J 7
FB3 - 9244 - 000	R30 - 12	FG6 - 2533 - 000	R11 - 18	VS1 - 6302 - 010	R B - J 4
FB3 - 9260 - 000	R11 - 3	FG6 - 2534 - 000	R30 - 30	VS1 - 6313 - 011	R B - J 5
FB3 - 9261 - 000	R11 - 4	FG6 - 2956 - 000	R35 - 1	VS1 - 6314 - 008	R B - J 6
FB3 - 9268 - 000	R01 - 1	FG6 - 3576 - 000	R40 - 1	VS1 - 6314 - 011	R B - J 5
FB3 - 9270 - 000	R10 - 2	FG6 - 3577 - 000	R30 - 1	VS1 - 6320 - 012	R B - J 1
FB3 - 9289 - 000	R40 - 18	FH2 - 5822 - 000	R B - J 32	VS1 - 6321 - 002	R B - J 16
FB3 - 9290 - 000	R11 - 5	FH2 - 5826 - 000	R B - J 32		R B - J 18
FB3 - 9291 - 000	R10 - 9	FH2 - 5828 - 000	R B - J 32		R B - J 28
FB3 - 9292 - 000	R10 - 10	FH2 - 6584 - 000	R35 - 6	VS1 - 6321 - 003	R B - J 11
FB3 - 9293 - 000	R10 - 11	FH2 - 6585 - 000	R35 - 7		R B - J 13
FB3 - 9711 - 000	R10 - 12	FH2 - 6586 - 000	R35 - 8		R B - J 14
FB3 - 9713 - 000	R40 - 19	FH6 - 1571 - 000	R11 - 19		R B - J 17
FB3 - 9714 - 000	R30 - 15	FH7 - 1791 - 020	R30 - 32		R B - J 23
FB3 - 9720 - 000	R30 - 16	FH7 - 4584 - 000	R35 - 9		R B - J 24
FB3 - 9723 - 000	R30 - 17	FH7 - 4585 - 000	R35 - 9		R B - J 25
FB3 - 9732 - 000	R10 - 17A	FH7 - 4610 - 000	R35 - 9		R B - J 29
FB3 - 9735 - 000	R30 - 18	FH7 - 5826 - 000	R40 - 37		R B - J 30
FB3 - 9742 - 000	R30 - 19	FH7 - 5827 - 000	R40 - 38	VS1 - 6321 - 004	R B - J 19
FB3 - 9749 - 000	R10 - 13	FH7 - 5828 - 000	R11 - 20		R B - J 20
	R11 - 38	FH7 - 7312 - 000	R30 - 33	VS1 - 6321 - 010	R B - J 10
	R10 - 14	FH7 - 7462 - 000	R11 - 21	VS1 - 6321 - 012	R B - J 1
FB3 - 9751 - 000	R40 - 20		R11 - 22	VS1 - 6321 - 014	R B - J 15
FB3 - 9752 - 000	R40 - 20	FS1 - 1189 - 000	R40 - 39	VS1 - 6372 - 010	R B - J 22
FB4 - 2007 - 000	R40 - 21	FS1 - 1512 - 000	R11 - 23	VS1 - 6373 - 010	R B - J 22
FB4 - 2013 - 000	R40 - 22	FS1 - 1569 - 000	R40 - 40	VS3 - 5083 - 004	R B - J 3
FB4 - 2033 - 000	R40 - 34A	FS1 - 1569 - 000	R40 - 41	VS4 - 0001 - 003	R B - J201
	R40 - 35A	FS1 - 9009 - 000	R11 - 24		R B - J202
FB4 - 2034 - 000	R40 - 33A	FS2 - 0450 - 000	R30 - 34	VS4 - 0002 - 003	R B - J201
FB4 - 4868 - 000	R40 - 23	FS2 - 0484 - 000	R40 - 42	VT2 - 5161 - 022	R B - J 5
FB4 - 4873 - 000	R30 - 20	FS2 - 0544 - 000	R11 - 25	VT2 - 5161 - 024	R B - J 1
FB4 - 4874 - 000	R30 - 21	FS2 - 0545 - 000	R11 - 27	WC4 - 0153 - 000	R30 - 39
FB4 - 4877 - 000	R11 - 7	FS2 - 9343 - 000	R01 - 12	WC4 - 5153 - 000	R11 - 34
FB4 - 4878 - 000	R11 - 8		R11 - 26	WS3 - 0437 - 000	R B - J 27
FB4 - 4882 - 000	R30 - 22	FS5 - 0338 - 000	R40 - 43	WS3 - 5160 - 000	R B - J 3
FB4 - 4899 - 000	R40 - 25	FS5 - 2291 - 000	R40 - 44	WS3 - 5419 - 000	R B - J 26
FB4 - 4919 - 000	R01 - 3	FS5 - 2885 - 000	R40 - 45		R B - J 31
FB4 - 4922 - 000	R11 - 9	FS5 - 3333 - 000	R40 - 46	WS3 - 5569 - 000	R B - J 4
FB4 - 4925 - 000	R10 - 6	FS5 - 8618 - 000	R30 - 35		R B - J 7
FB4 - 4926 - 000	R10 - 3	FS6 - 0053 - 000	R40 - 47		R B - J 22
FB4 - 4928 - 000	R30 - 23	FS6 - 0056 - 000	R40 - 24	WS3 - 5598 - 000	R B - J 22
FB4 - 4929 - 000	R11 - 10	FS6 - 0091 - 000	R40 - 48	WS4 - 0217 - 000	R B - J201
FB4 - 4932 - 000	R01 - 5	FS6 - 0722 - 000	R30 - 36	WS4 - 0219 - 000	R B - J202
FB4 - 4933 - 000	R01 - 6	FS6 - 0907 - 000	R40 - 49		R B - IL 1
FB4 - 4937 - 000	R01 - 2	FS6 - 0909 - 000	R30 - 37	WS5 - 5025 - 000	R B - J 22
FB4 - 4938 - 000	R01 - 7	FS6 - 0911 - 000	R10 - 22	WT2 - 5041 - 000	R35 - 2
FB4 - 6227 - 000	R40 - 2	FS6 - 0912 - 000	R10 - 23	X62 - 6825 - 000	R11 - 35
FB4 - 9696 - 000	R10 - 5	FS6 - 0913 - 000	R10 - 24	XA9 - 0266 - 000	R10 - 25
FB4 - 9697 - 000	R10 - 4	FS6 - 2593 - 000	R11 - 28		R35 - 4
FB4 - 9705 - 000	R30 - 14	FS6 - 2672 - 000	R40 - 50		R35 - 10
FB4 - 9706 - 000	R30 - 13	FS6 - 2673 - 000	R30 - 38	XA9 - 0628 - 000	R35 - 5
FB4 - 9710 - 000	R11 - 6	FS6 - 2674 - 000	R11 - 29	XA9 - 0721 - 000	R30 - 40
FB4 - 9716 - 000	R01 - 4	FS6 - 2675 - 000	R40 - 51	XA9 - 0732 - 000	R01 - 13
FB5 - 0553 - 000	R30 - 1	FS6 - 2676 - 000	R11 - 30		R01 - 14
FF5 - 5282 - 030	R30 - 24	FS6 - 2677 - 000	R10 - 15		R01 - 15
FF5 - 6148 - 000	R30 - 25	FS6 - 2678 - 000	R40 - 52		R10 - 7
FF5 - 6157 - 020	R40 - 28	FS6 - 2895 - 000	R40 - 53		R10 - 8
FF5 - 6160 - 000	R30 - 26				

PART NUMBER	FIGURE & KEY NO.	PART NUMBER	FIGURE & KEY NO.	PART NUMBER	FIGURE & KEY NO.
XA9 - 0732 - 000	R10 - 16 R11 - 36 R11 - 37 R30 - 41 R30 - 42 R40 - 54				
XB1 - 2231 - 009	R11 - 501 R30 - 501				
XB1 - 2300 - 409	R40 - 501				
XB1 - 2300 - 806	R10 - 502				
XB1 - 2400 - 409	R35 - 502				
XB1 - 2400 - 609	R01 - 501 R10 - 503 R11 - 502 R30 - 502 R30 - 503 R40 - 502				
XB1 - 2400 - 806	R11 - 503				
XB1 - 2400 - 809	R11 - 504				
XB4 - 7301 - 209	R10 - 507 R10 - 508 R10 - 504 R10 - 509				
XB4 - 7400 - 807	R30 - 504 R11 - 505 R35 - 501				
XB6 - 2400 - 808	R30 - 505				
XB6 - 7300 - 409	R30 - 506 R30 - 507				
XB6 - 7400 - 609	R11 - 506				
XB6 - 7400 - 809	R11 - 507 R11 - 508 R30 - 508 R40 - 503				
XD1 - 1100 - 642	R40 - 504 R11 - 511 R40 - 505				
XD1 - 4200 - 402	R10 - 505 R11 - 509 R11 - 512 R30 - 509 R40 - 506				
XD2 - 1100 - 242	R10 - 506 R30 - 510 R30 - 511 R40 - 507				
XD2 - 1100 - 372	R10 - 501				
XD2 - 1100 - 402	R40 - 508 R40 - 509 R40 - 510 R11 - 510 R40 - 511 R30 - 512 R40 - 512 R30 - 513				
XD2 - 1100 - 502	R10 - 1 R40 - 55				
XD2 - 1100 - 642	R40 - 55 R30 - 43 R40 - 56 R30 - 44				
XD2 - 2300 - 402					
XD3 - 1200 - 122					
XD3 - 1200 - 142					
XD3 - 1300 - 082					
XD3 - 1300 - 102					
XD3 - 2200 - 102					
XD3 - 2200 - 122					
XD3 - 2200 - 142					
XD3 - 2200 - 182					
XF2 - 2728 - 032					
XF9 - 0525 - 000					
XG3 - 6012 - 405					
XG9 - 0242 - 000					
XG9 - 0250 - 000					

Prepared by
OFFICE IMAGING PRODUCTS TECHNICAL SUPPORT DEPT.3
OFFICE IMAGING PRODUCTS TECHNICAL SUPPORT DIV.
CANON INC.
Printed in Japan

REVISION 0 [FEB. 1999]

5-1, Hakusan 7-chome, Toride-shi, Ibaraki 302-8501, Japan

Canon